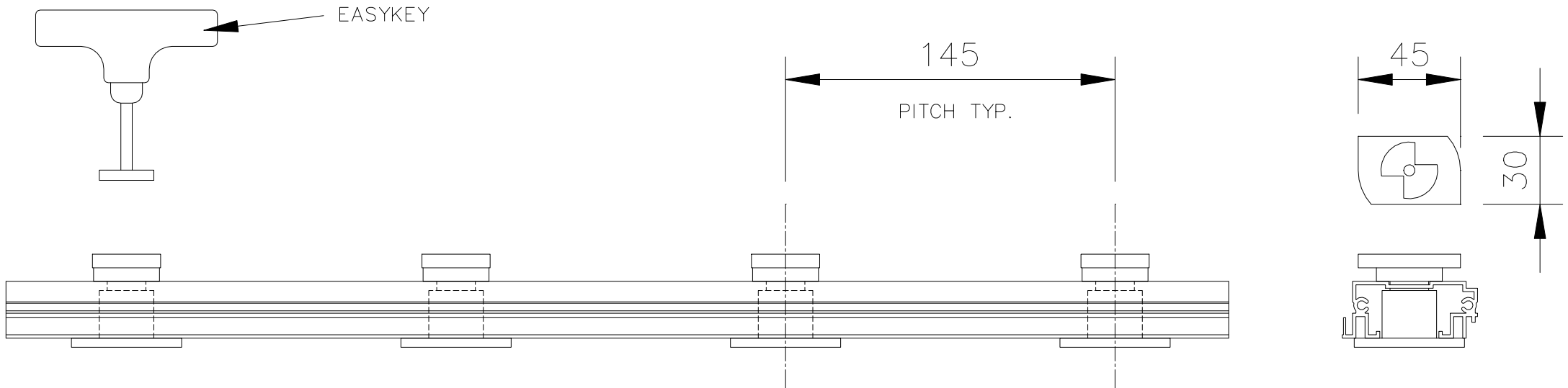


To Fix Deck Board (Refer to CAD Detail B1 or B2)



WALLBARN LIMITED
EASYCHANGE ALUMINIUM UNDERSTRUCTURE
CAD DETAIL A1