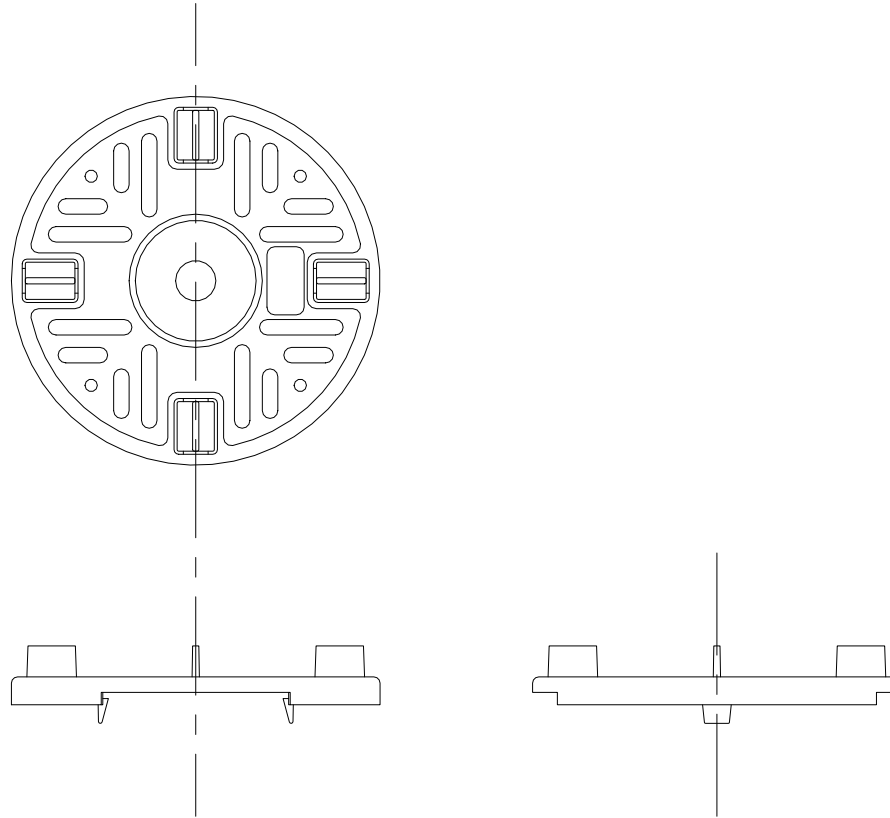


HEADPIECE
CLIPPED ONTO
ALUMINIUM RAIL



WALLBARN LIMITED
INTERGRATED RAIL SYSTEM FOR PAVING & DECKING
HEADPIECE (2mm x 10mm) FOR RAIL SYSTEM