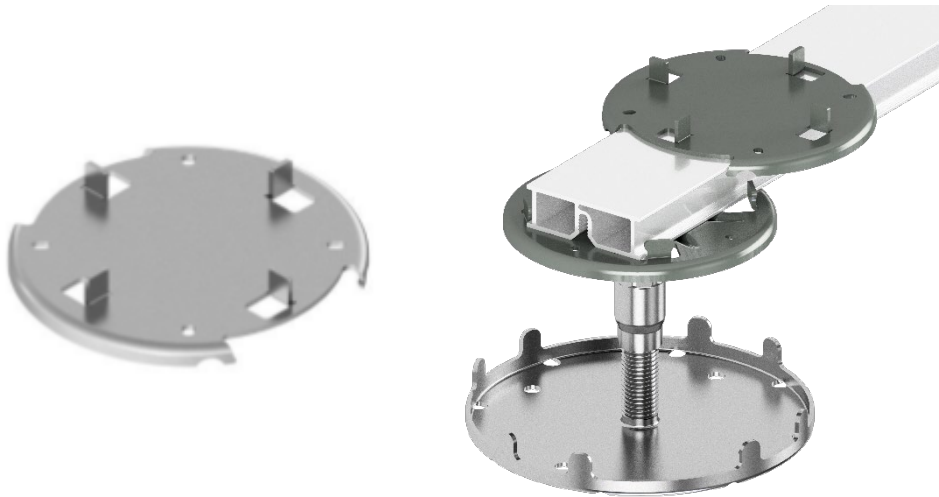




TECHNICAL DATASHEET

TOP HEADPIECE for METALPAD RAIL SYSTEM



CLASS A2 - s1, d0

Non-combustible Top Headpiece for RAIL SYSTEM of suspended paving and tiling

Description

Class A2 – s1, d0 Top Headpiece made from galvanised steel for MetalPad RAIL or CROSS RAIL SYSTEM.

Designed for use with Wallbarn Aluminium Profiled Rail System. Powder coated headpiece connects to profiled aluminium rail via small hooks on the underside without need for mechanical fixings to hold paving slab or tile in place.

Headpiece can slide along the rail to achieve correct spacing. Rail is fitted securely but with flexibility for movement. Outer ledges on profiled rail fit under angled sections of lugs. Fixing-less connection system means no stress points, less drilling, no risk of screws popping out over time.

Made with zero plastic and zero rubber content.

Material:

Headpiece

Varnished AISI430 Stainless Steel

EN 10152

Powder coating

Interpon Epoxy Polyester

Thickness 60 microns

Compatibility

With Wallbarn profiled Aluminium Rail System

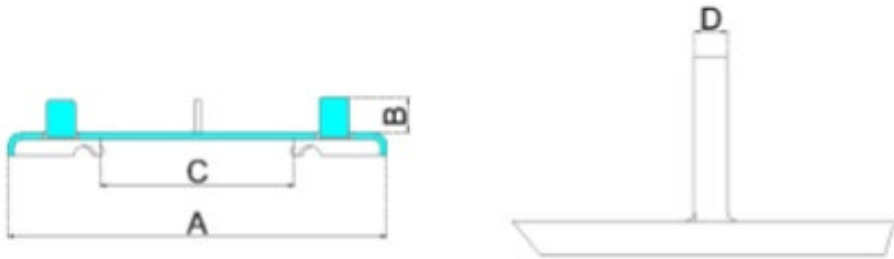
20 x 60 x 2000mm; 20 x 60 x 500mm

25 x 60 x 2500mm; 25 x 60 x 500mm

50 x 60 x 2500mm; 50 x 60 x 500mm

Fire Rating	Class A2 – s1, d0	BS EN ISO 1716 EN 13823 (2020)
Use / Purpose	Class A decking systems and suspended paving projects using Rail Substructure	
Lug Dimensions	10mm high; 4mm or 2mm thick	
Included	Closing cap for headpiece	
Durability	MetalPad Top Headpiece is manufactured for long-term performance and resistance to corrosion, exposure to elements and to UV rays	
Warranty	Limited warranty 15 years Life span 50 years	

Measurements



Code	Description	A	B	C	D
SP-MET-P-HEAD-Z	Class A MetalPad - Paving - Headpiece for Rail Substructure	118mm	10mm	60.2mm	4mm



www.wallbarn.com