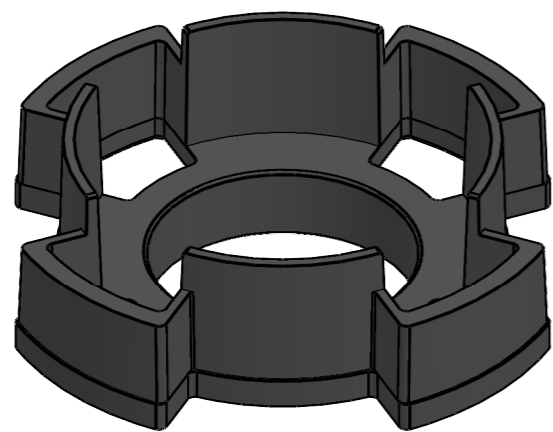


SECTION B-B



SCALE 2:1

DESIGNER: Wallbarn Ltd		COMPANY: Wallbarn Ltd	
EMAIL: enquiries@solidpeople.co.uk		TITLE: SP-MEG-BAL-075-Z Center.Lock2	
PHONE: 01727 617780		SIZE	
Navigation House 48 Millgate Newark NG24 4TR		<b>A3</b>	DWG. NO. 1
.. COMPANY PROPRIETRY NOTE .. Information on this drawing may not be disclosed without the written authorisation from the parties involved in its creation.			REV 0
		SHEET 1 OF 1	
DRAWN BY: Benjamin Wilson		DRAWN DATE: 25/08/2021	