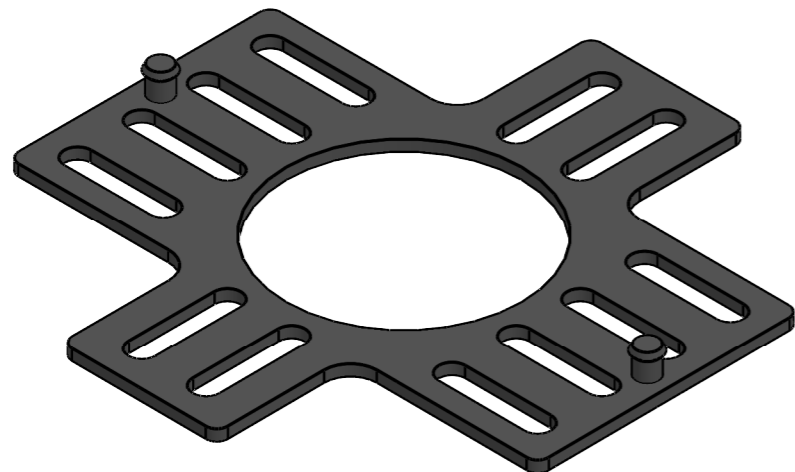
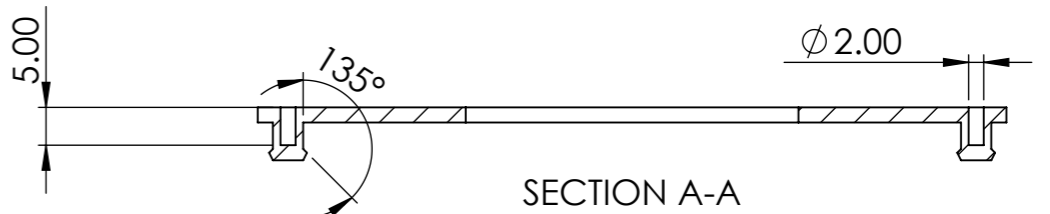
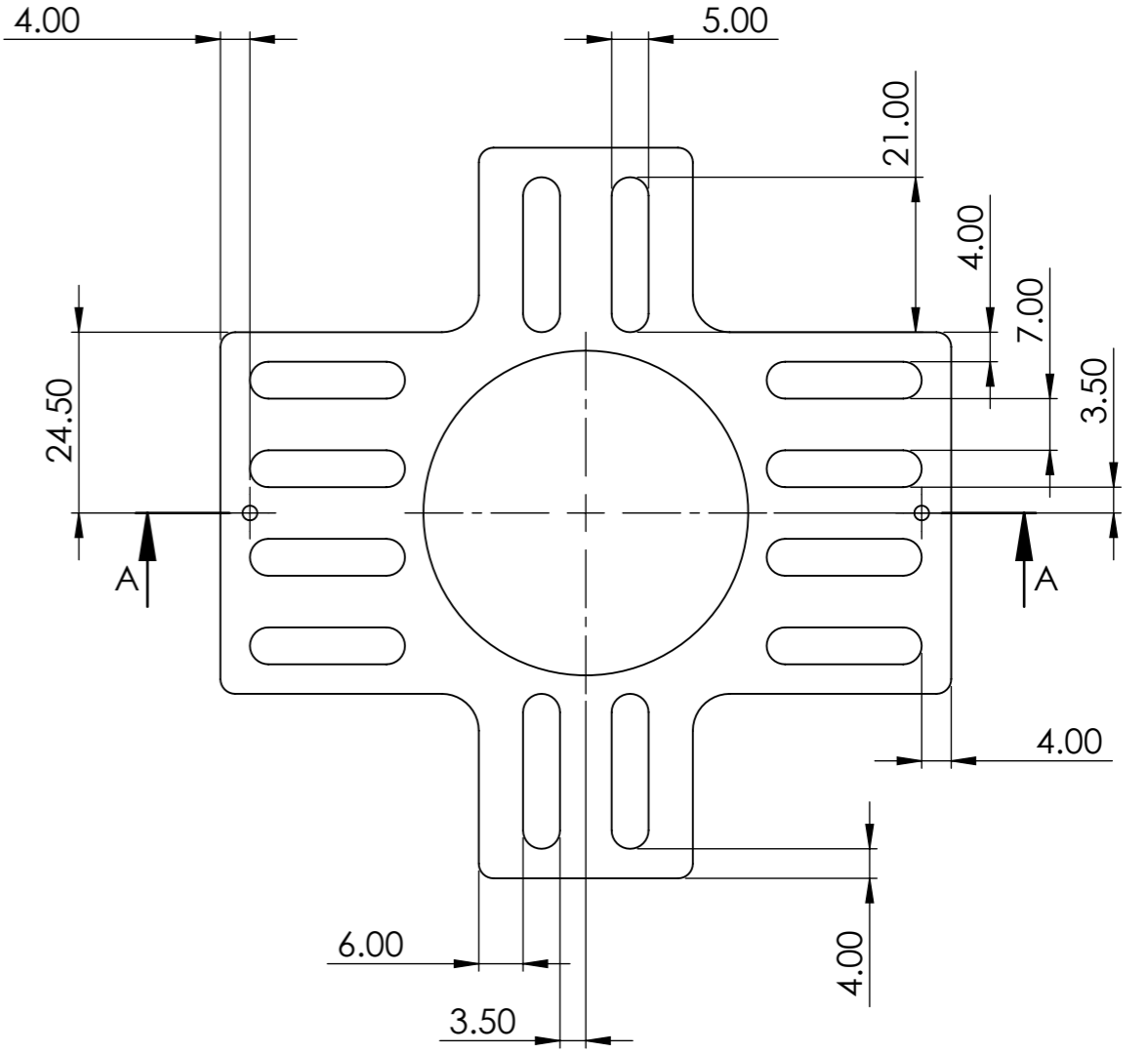
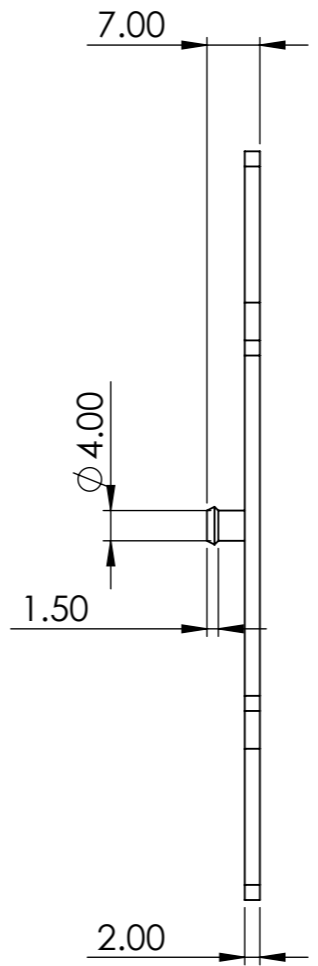
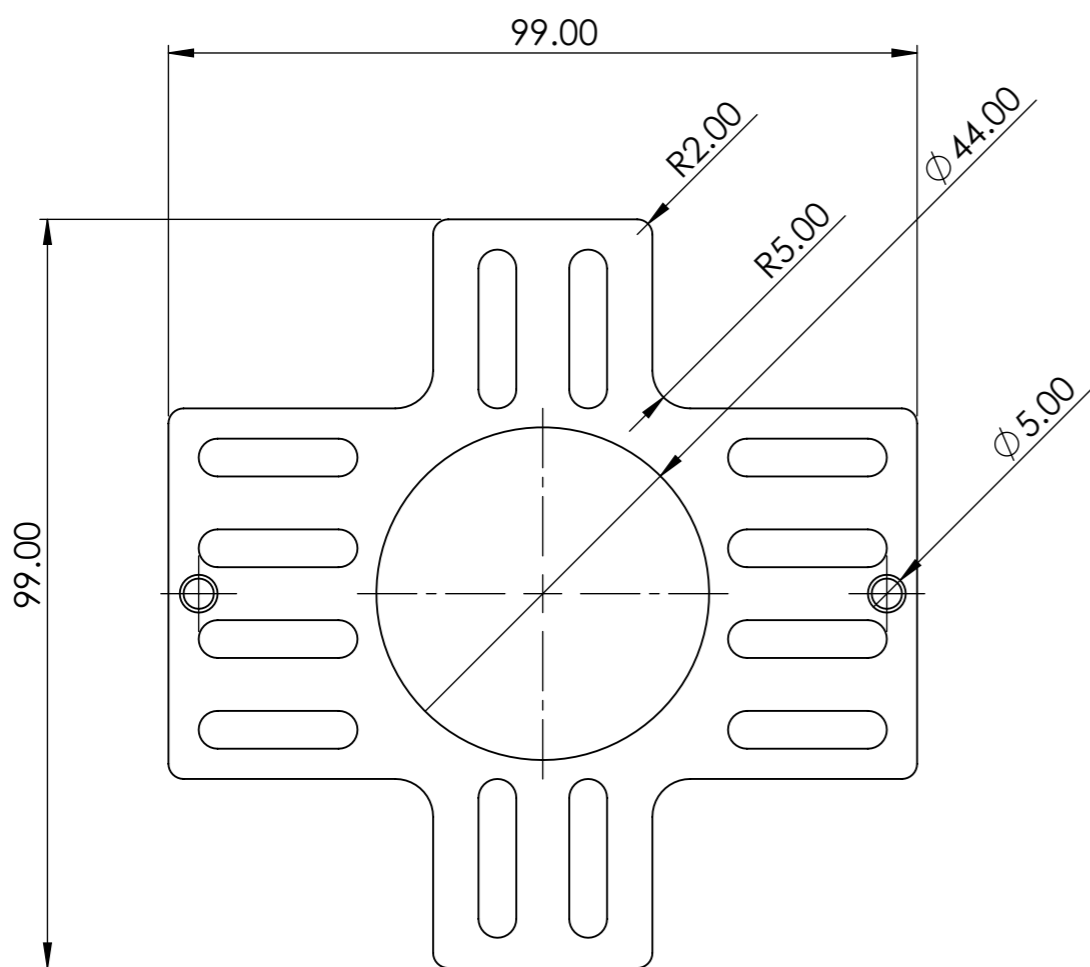


8 7 6 5 4 3 2 1

F  
E  
D  
C  
B  
A



SCALE 1:1

DESIGNER: Wallbarn Ltd		COMPANY: Wallbarn Ltd	
EMAIL: enquiries@solidpeople.co.uk		TITLE: SP-MEG-BAL-TD-075-Z Cross.AntiSlip.Mat	
PHONE: 01727 617780		SIZE	
Navigation House 48 Millgate Newark NG24 4TR		<b>A3</b>	DWG. NO. 1
.. COMPANY PROPRIETRY NOTE .. Information on this drawing may not be disclosed without the written authorisation from the parties involved in its creation.			REV 0
		SHEET 1 OF 1	
DRAWN BY: Benjamin Wilson		DRAWN DATE: 25/08/2021	

8 7 6 5 4 3 2 1

F  
E  
D  
C  
B  
A