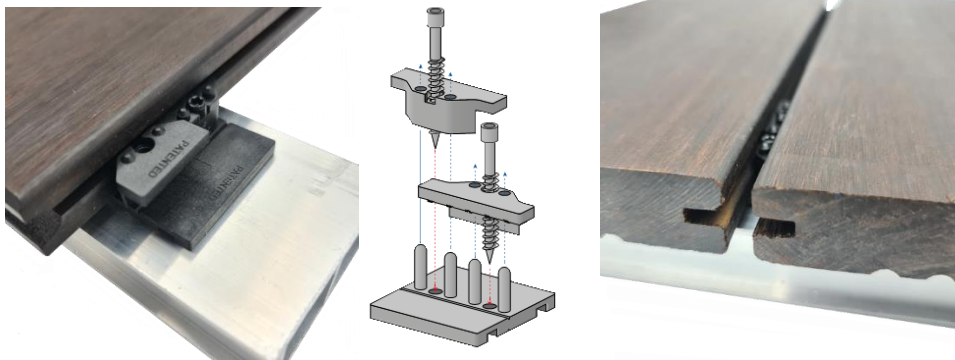




DATASHEET



Remo Clip

Function: RemoClip® is a patented fixing system designed to simplify the installation of decking and cladding. It features removable clips and wings made from high-quality materials, ensuring durability and reliability.

A key advantage of RemoClip® is its modular design, allowing it to adapt to boards of varying thicknesses and different joist materials, including wood, WPC, and aluminium.

RemoClip® allows easy removal of individual boards at a later date, without disturbing adjacent boards. This feature simplifies maintenance and replacements. Additionally, RemoClip® accommodates boards of different thicknesses.

The clip is made from Nylon, chosen for its ability to withstand temperature extremes commonly encountered in decking applications.

****Your Account Manager can provide datasheets for any other products mentioned in this datasheet.**



DATASHEET



Kit for wooden boards

(base + 2 wings)

- for 18/21 mm thick boards
- for 25 mm thick boards and up



Kit for head joint of wooden boards

(base + 1 wing)

- for 18/21 mm thick boards
- for 25 mm thick boards and up



Kit for WPC boards

(base + 2 wings)

- for low thickness boards
- for high thickness boards



Screw with black Keraplast treatment

- for aluminium substructure joist
- for wooden substructure joist and low thickness boards
- for wooden substructure joists and high thickness boards

Technical Data

- Fire Rating:** Class E
- Compatibility:** They can be used with decking boards manufactured with standard milling side profile of varying heights.
- Range:** Contact Wallbarn to advise on best options for your project
- Performance:** Withstands temperatures ranging from -20° up to +100° and improves boards stability during hot and cold periods, thanks to the ribbed edge of the wings.
- Material:** Polyamide 6 (PA6) (Nylon 6 / polycaprolactam)
- Recycled:** No
- Recyclable:** Yes

Item	URL
Remo Clip	