



## **OPERATIONS & MAINTENANCE MANUAL**

### MEGA BALANCE CLIP ADJUSTABLE HEIGHT PEDESTALS



---


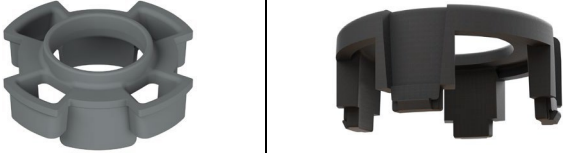
Please see Wallbarn Ltd Terms & Conditions of Supply – SEE APPENDIX A

## PRODUCT DESCRIPTION

**MEGA BALANCE PEDESTALS** – Adjustable Height Pedestals for use with suspended paving and decking systems with a self-leveling headpiece.

25-1025mm in height – injection moulded support pedestals made from virgin fibre Polypropylene (PP) with no fillers. Packed into boxes of 20 units each. Weight tolerance per unit = 1,560kg.

## PHYSICAL AND CHEMICAL PROPERTIES

<b>Height</b>	<b>Weight Tolerance</b>		
25-30mm	<b>Maximum Load:</b> 20,713 N = 2,057kg  <b>End of Linear Behaviour:</b> 15,300N = 1,560kg  <b>CATAS Test Score</b> 179112 / 1		
30-37mm			
37-50mm			
50-75mm			
75-125mm			
125-225mm			
225-325mm			
325-425mm			
425-525mm			
525-625mm			
625-725mm			
725-825mm			
825-925mm			
925-1025mm			
The Grey Nut The Black Nut			
Material	Polypropylene		
Diameter of Head Piece	150mm		
Diameter of Screw	140mm		
Diameter of Base	200mm		
Distance between lugs (Clip head for aluminium rail)	60mm		
	<b>Score</b>	<b>Test Method</b>	
Melt Flow rate	14-16 Gr / 10'	ASTM D 1238	
Weight / density	0.99-1.04 Gr / cm3	ASTM D 792 Method A	
Softening point with load of 5kg (VICAT test)	>75 °C	ASTM D 1525	
Heat Deflection Test with load of 1820 kPa	> 90 °C	ASTM D 648	
Coefficient of elasticity	1600 Mpa	ASTM D 790	
Impact resistance (Izod test - <b>at 23°C</b> )	>40 J/m	ASTM D 256	
Impact resistance (Izod test - <b>at minus 20°C</b> )	>20 J/m	ASTM D 256	
Max Weight Tolerance <b>at minus 40°C</b>	27.830 N	<b>CATAS 179112 / 1</b>	
<b>Fire classification</b>	All MEGA BLANCE pedestals are classified as "EUROCLASS E" according to EN 13501-1:2009 as standard; "EUROCLASS B1" are available by special request		

<b>Appearance</b>	Black injection moulded pedestal
<b>Odour</b>	None
<b>pH</b>	n/a
<b>Boiling point</b>	n/a
<b>Softening point</b>	>75°C
<b>Flash point</b>	n/a
<b>Fire classification</b>	EuroClass E
<b>Toxicity</b>	These products are not classified as toxic

## PRODUCT INFORMATION

[Mega Balance Clip Headpiece - Locking the pedestal with the "grey nut" - YouTube](#)

## PRODUCT INSTALLATION

To be used on predominantly flat decks. Suitable for flat roofs, podium decks, balconies, terraces and walkways.

Units to be placed onto the structural decks, sufficiently strong to tolerate the weight of the system. Waterproofing membranes to be adequately protected before installation of units to prevent point loading and / or puncturing of membrane.

Pedestals are usually loose laid without mechanical fixings or adhesive to allow them to move independently from the structural building and prevent stress points. However, if fixing the pedestals into the subdeck is required (and waterproofing seals etc. are not compromised) mechanical fixings can be fitted through series of holes moulded into the baseplates.

Pedestals placement is based on many factors and our technical staff can help advise recommended placement but typically we would not recommend exceeding 600mm span between pedestals.



## For Decking with Wallbarn Aluminium Rails

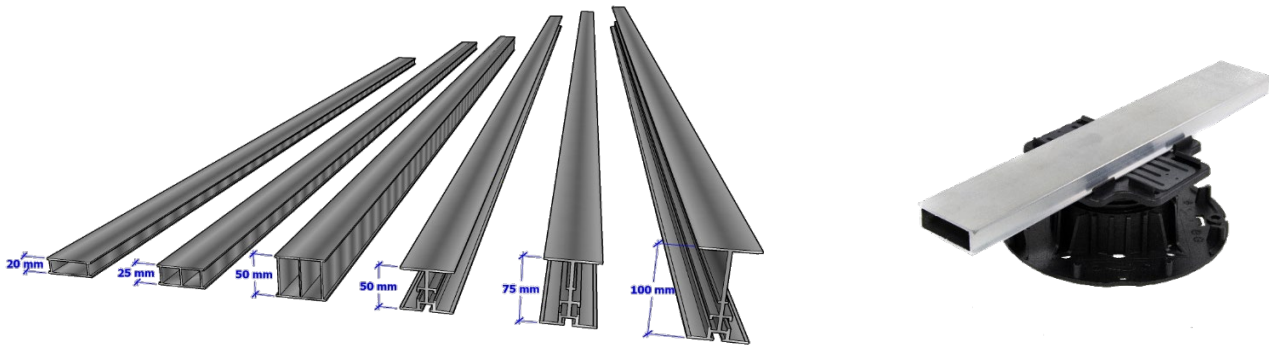
Wallbarn's aluminum joists, when used with the Mega Balance Clip pedestals, offer many advantages, making them an ideal choice for decking projects. They have a lightweight yet sturdy construction which simplifies installation. The joists' durability and corrosion resistance ensure a long-lasting service life, making them suitable for various outdoor applications, even in challenging weather conditions. Additionally, their non-combustible properties enhance safety, providing added protection against fire hazards in outdoor spaces.

Wallbarn's joists feature a profile that seamlessly integrates with the Mega Balance Clip pedestals, guaranteeing precise alignment and stability. This combination enhances load distribution and structural integrity, optimizing the overall decking performance.

Wallbarn demonstrates its commitment to sustainability by using recycled materials in their aluminum joists, aligning with eco-friendly construction practices.

Most of Wallbarn's decking systems are compatible with their aluminum joists and Mega Balance Clip pedestals. The profiled aluminium rails easily click into the spring-loaded clips on the headpiece of the pedestals, ensuring a secure fit without the need for mechanical fixings. The telescopic stems on the pedestals can be adjusted to alter the height, allowing for flat and level rails. Decking boards are then fixed to the aluminum rails.

The placement of the pedestals is influenced by various factors, but typically, a span of 600mm is recommended. For specific advice, consult our knowledgeable technical staff.



## For Paving Rail System

Install pedestals and aluminium rails in the same way as for decking system above, but use additional top headpiece on the upper side of the aluminium rail to support and position paving slabs/ ceramic tiles for added lateral stability and smoother upper surface.

[How to install the highest quality ceramic tile terraces using Wallbarn Rail Suspension System - YouTube](#)



## The Grey Nut



Mega Balance is supplied with a self-leveling headpiece as standard but the head can be locked in place by inserting the Grey Nut into the centre of the headpiece [MegaBalance Pad - Using The Grey Nut - YouTube](#) .

## The Black Nut



The Black Nut is available when Mega Balance is used for Decking or Rail Systems. By pushing this nut into the central part of the headpiece it allows you to twist the stem of the pedestal to adjust the height when already in situ.

## MAINTENANCE DETAILS

Products are designed to be covered and not disturbed in the long-term.

Gaps between paving slabs / decking boards should be kept clear and free of debris to allow proper drainage of the upper surface and prevent ponding and slip hazards.

Cavities between the structural subdeck and the surface material (paving / decking) should be inspected at regular intervals (at least once per year) to ensure drainage channels do not become blocked and flammable material does not collect. Jets of water should be used to remove limited amounts of debris, taking care not to block up or damage drainage outlets.

For large or compacted debris build-up, removal of the upper surface (paving or decking system) will be required to remove the debris. Removal should be carried out by machines if required.

## HAZARDS IDENTIFICATION

The major hazards identified for these products are physical and include manual handling.

## FIRST-AID MEASURES

In event of cuts or injury, wash out wound with plenty of clean water. Seek medical attention.

## **FIRE-FIGHTING MEASURES**

These products do not constitute a fire hazard. Use extinguishing media appropriate to the surrounding fire conditions.

## **ACCIDENTAL RELEASE MEASURES**

Damaged product can be taken up and disposed of to landfill as inert waste if necessary; however recycling is the preferred method of disposal. As supplied, the products are not classified as hazardous.

## **HANDLING AND STORAGE**

When handling product, due regard should be paid to the risks outlined in the Manual Handling Operations Regulations 1992, appropriate PPE should be used.

When cutting the product with a saw, appropriate measures to control dust should be used. The product should be stored in a safe and stable manner.

## **PERSONAL PROTECTIVE EQUIPMENT:**

Wear suitable protective clothing e.g. overalls, gloves and safety boots to reduce the chances of physical injury while using this product. Local Exhaust Ventilation, goggles and a dust mask to the relevant European standard (EN149) may be required if a cutting method that liberates dust is used.

## **ECOLOGICAL INFORMATION**

Subsequent to manufacture, this is a stable product with no known adverse environmental effects.

## **DISPOSAL CONSIDERATIONS**

Dispose of this product at any approved solid waste disposal site but recycling is best and recommended method of disposal. Wallbarn Mega Balance pedestals are made from virgin fibre Polypropylene and therefore will make for a higher quality recycled product. Disposal of the product should be in accordance with any local or national regulations although recycling is preferred.

## **WARRANTIES**

A limited warranty exists that the products will comply with the test data as laid out earlier in document. Warranty is limited to replacement of products which have been installed in the correct manner and for the correct purpose only. Warranty is limited to the value of the cost price of the materials only, not replacement costs or any other labour cost.

## **TRANSPORT INFORMATION**

Classification for conveyance: - None required.

## **KEY CONTACTS**

Wallbarn Ltd.

Unit 16 Capital Business Centre, 22 Carlton Road,

South Croydon CR2 0BS

Tel: +44 (0)208 916 2222

Fax: +44 (0)208 916 2223

Email: [sales@wallbarn.com](mailto:sales@wallbarn.com)

Web: [www.wallbarn.com](http://www.wallbarn.com)

## APPENDIX A:

The following table summarizes the documents and URLs referenced in this document.

Document Name	Location
Mega Balance website URL	<a href="https://www.wallbarn.com/pedestals-2/self-levelling-heavy-duty/">https://www.wallbarn.com/pedestals-2/self-levelling-heavy-duty/</a>
Wallbarn Ltd Terms & Conditions	<a href="https://www.wallbarn.com/terms-conditions-of-supply/">https://www.wallbarn.com/terms-conditions-of-supply/</a>
<b>Accessories for Mega Balance Pedestals</b> Metal Edge Plate Ventus Uplift bracket Pedestal Column Extender Rubber Crumb Acoustic Pad Levelling Shims Aluminium Rails/Joists	<b>Links</b> <a href="https://www.wallbarn.com/pedestals-2/metal-edging-plate/">https://www.wallbarn.com/pedestals-2/metal-edging-plate/</a> <a href="https://www.wallbarn.com/pedestals-2/wind-uplift-bracket/">https://www.wallbarn.com/pedestals-2/wind-uplift-bracket/</a> <a href="https://www.wallbarn.com/pedestals-2/pedestal-column-extender/">https://www.wallbarn.com/pedestals-2/pedestal-column-extender/</a> <a href="https://www.wallbarn.com/pedestals-2/rubber-crumb-acoustic-pad/">https://www.wallbarn.com/pedestals-2/rubber-crumb-acoustic-pad/</a> <a href="https://www.wallbarn.com/pedestals-2/accessories/">https://www.wallbarn.com/pedestals-2/accessories/</a> <a href="https://www.wallbarn.com/substructure/plastic-pedestal-substructure-system/">https://www.wallbarn.com/substructure/plastic-pedestal-substructure-system/</a>



## LIMITED WARRANTY

Date: 1<sup>st</sup> January 2023

Wallbarn Ltd provides a limited warranty of 15 years for products. This Warranty corresponds to the performance and strength characteristics given in the published technical datasheets.

Wallbarn Ltd warrants that, under normal use and service conditions, and where the products have been installed in the proper manner, Wallbarn Ltd products shall be free from material defects in workmanship and materials, shall not crack, splinter, swell, rot or suffer structural damage from damp or fungal decay.

If a defect occurs within the Warranty Period, the Purchaser shall notify Wallbarn Ltd in writing and, after investigation and confirmation of the defect(s) by a Wallbarn Ltd representative, Wallbarn Ltd's sole responsibility shall be limited to replacement of the affected products or to refund the Purchaser up to the maximum value of the Sales Invoice.

This warranty is null and void if:

- The products are not installed in the proper manner as detailed in official Wallbarn Ltd product catalogues, installation guides and technical datasheets.
- The products are not used for the purposes they are intended, as detailed in official Wallbarn Ltd product catalogues, installation guides and technical datasheets.
- Excessive weights, higher than the maximum weight as detailed in official Wallbarn Ltd product catalogues, installation guides and technical datasheets are placed onto the products.
- The products are installed in contravention of any relevant building regulations, code or standards.
- Any relevant building regulations, code or standards, including fire safety regulations are breached on the project during the construction process.
- There is movement, distortion, collapse or settling of the supporting structure on which Wallbarn Ltd products are installed.
- Any abnormal natural event such as flooding, hurricane, earthquake, lightning, etc, occurs.

### **Wallbarn Ltd – Limited Warranty**

This limited warranty does not cover any living product or any product which sustains life. This includes sedum and other plants and substrate mixes for M-Tray® and any other green roof system. The living and growing elements of M-Tray® and other green roof systems are specifically excluded from this Warranty.

This Warranty is limited to the maximum amount of the Sales Invoice and Wallbarn Ltd is not liable for any costs of examination, removal or installation of products. Wallbarn Ltd will not be responsible for any costs or expenses incurred during removal and replacement, including labour or transport costs.



This warranty is given only if the products are used for the purposes they are intended, as detailed in official Wallbarn Ltd product catalogues, installation guides and technical datasheets and are installed in the correct manner.

To make a claim under this Limited Warranty, the Purchaser should contact Wallbarn Ltd with a full report of the defects within the Warranty Period, including photographic evidence and proof of purchase. Any claim should be made to [sales@wallbarn.com](mailto:sales@wallbarn.com) as soon as possible by the Purchaser.

Our Terms & Conditions of Supply <https://www.wallbarn.com/terms-conditions-of-supply/> can be found here.



**Wallbarn Ltd:**  
**Unit 16 Capital Business Centre :**  
**22 Carlton Road :**  
**South Croydon : CR2 0BS**  
**[www.wallbarn.com](http://www.wallbarn.com)**