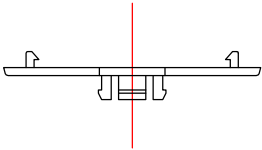
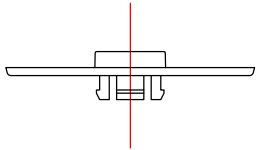
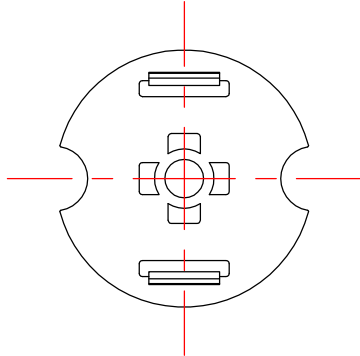


CLIP HEAD
CLIPPED ONTO
ALUMINIUM RAIL



WALLBARN LIMITED
INTERGRATED RAIL SYSTEM FOR PAVING & DECKING
CLIP HEAD FOR RAIL SYSTEM