



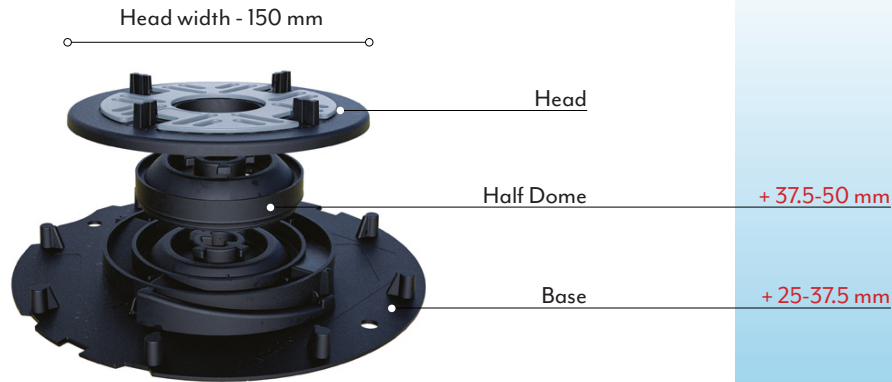
Solutions for Rooftop Living

Mini Mega Balance



LARGEST RANGE OF ADJUSTABLE PEDESTALS IN THE UK

From 25 to 50 mm with a single product



Same Features as the Mega Balance Range
Same Weight Tolerance as the Mega Balance Range

WAS

3 Pedestals to cover 25 to 50 mm

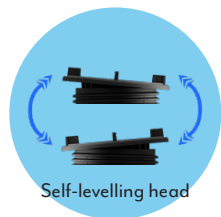


NOW

New Mini Mega Balance



3 IN ONE



ONE HEAD, ONE PRODUCT, ALL THE SOLUTIONS

PAVING



Mega Balance KEY
Fine tune pedestal height after tiles/slabs have been installed



DECKING



Suitable for
Timber or
Composite
Joists



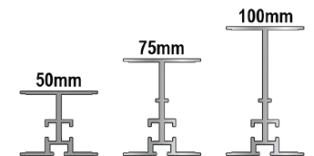
RAIL SYSTEM



Compatible Aluminium Joists/Rails for Decking or Paving System



Aluminium Box Rails (15, 20 & 25 mm)
Comes in 2,500 mm length



Aluminium I-Plus Rails (50, 75 & 100 mm)
Comes in 3,600 mm length

A SINGLE PEDESTAL

WITH ALL THE ADVANTAGES



Dome

MORE FLEXIBILITY,
GREATER HEIGHT

The Dome is a new 25 mm extension, designed with an interlocking system to increase the height of any Mega Balance pedestal. A maximum of three Domes can be used on any one pedestal, extending it by up to 75 mm.

*product is available to purchase separately



25 to 50 mm



50 to 75 mm



75 to 100 mm



47 mm

Mini Mega Balance
+15 mm Box Rail
+Paving Head
from 47mm
(to underside of tile)



40 mm

Mini Mega Balance
+15 mm Box Rail
from 40 mm
(to underside of Deck Board)



SP-MEG-025-050-Z



SP-MEG-025-075-Z



SP-MEG-025-100-Z

THE WHOLE HEIGHT RANGE = 3 PEDESTALS + 2 EXTENSIONS
COVERING 25 MM TO 1,025 MM



Mini Mega Balance
25 to 50 mm



Dome
50 to 75 mm



next size up



Mega Balance
75 to 125 mm



Mega Balance
125 to 225 mm



Mega Balance
100 mm Tower
225 to 1,025 mm



Quality | Innovation | Service

WALLBARN.COM

Unit 16 Capital Business Centre
22 Carlton Road
South Croydon
CR2 0BS
UNITED KINGDOM

Phone : +44 (0)20 8916 2222

Email : sales@wallbarn.com



See on the Website