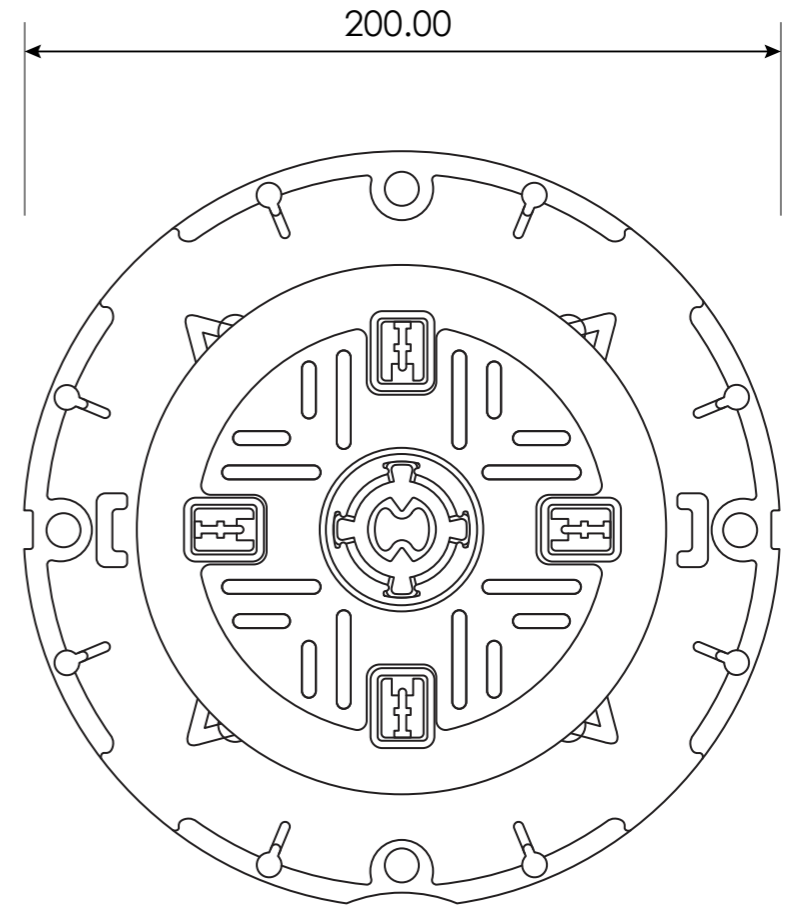
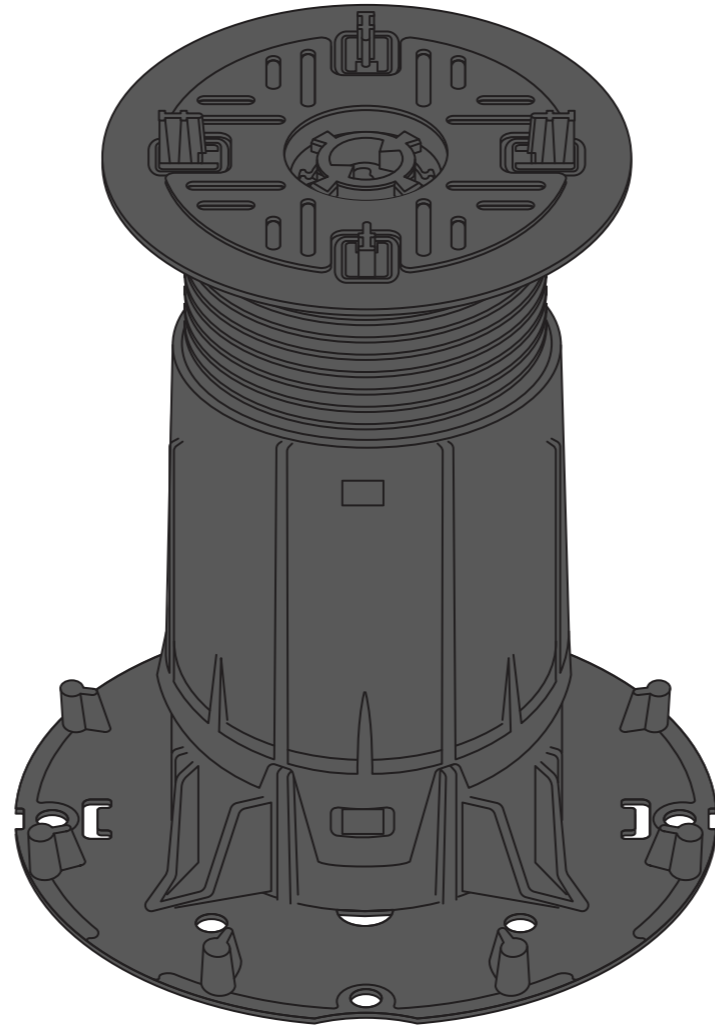


SCALE 1:2



	DESIGNER:		
	COMPANY:		
EMAIL:	TITLE: SP-MEG-BAL-125-Z		
PHONE:	SIZE		
	A3	DWG. NO. 1	REV 0
	SHEET 1 OF 1		
	DRAWN BY:		
	DRAWN DATE:		