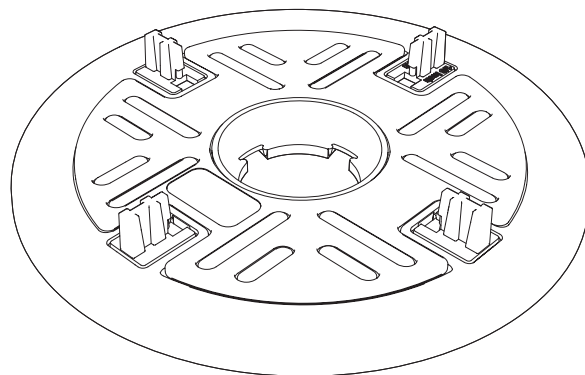
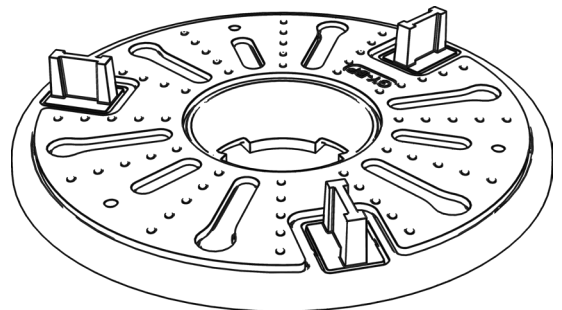
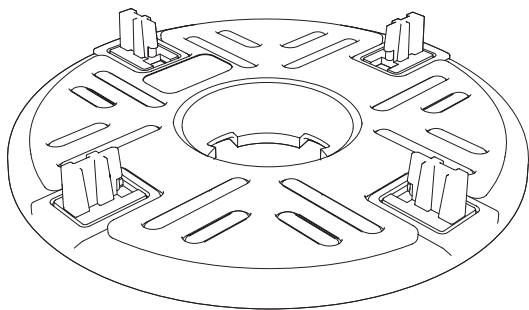




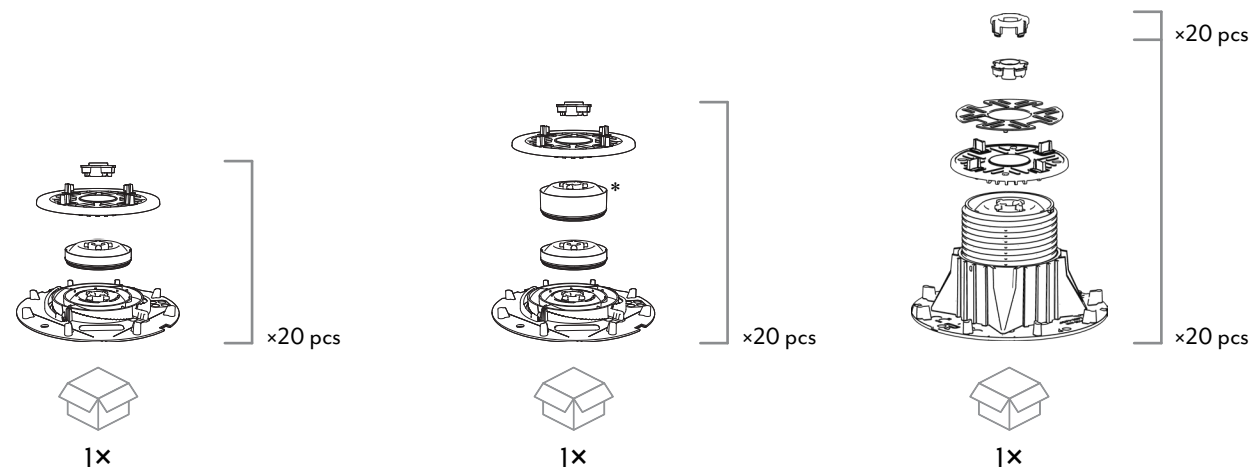
# MEGA BALANCE & MINIMEGA BALANCE

ASSEMBLY AND INSTALLATION INSTRUCTIONS



# Mega Balance & Mini Mega Balance Assembly 25-1025 mm

Adjust height by turning headpiece or by using the Key

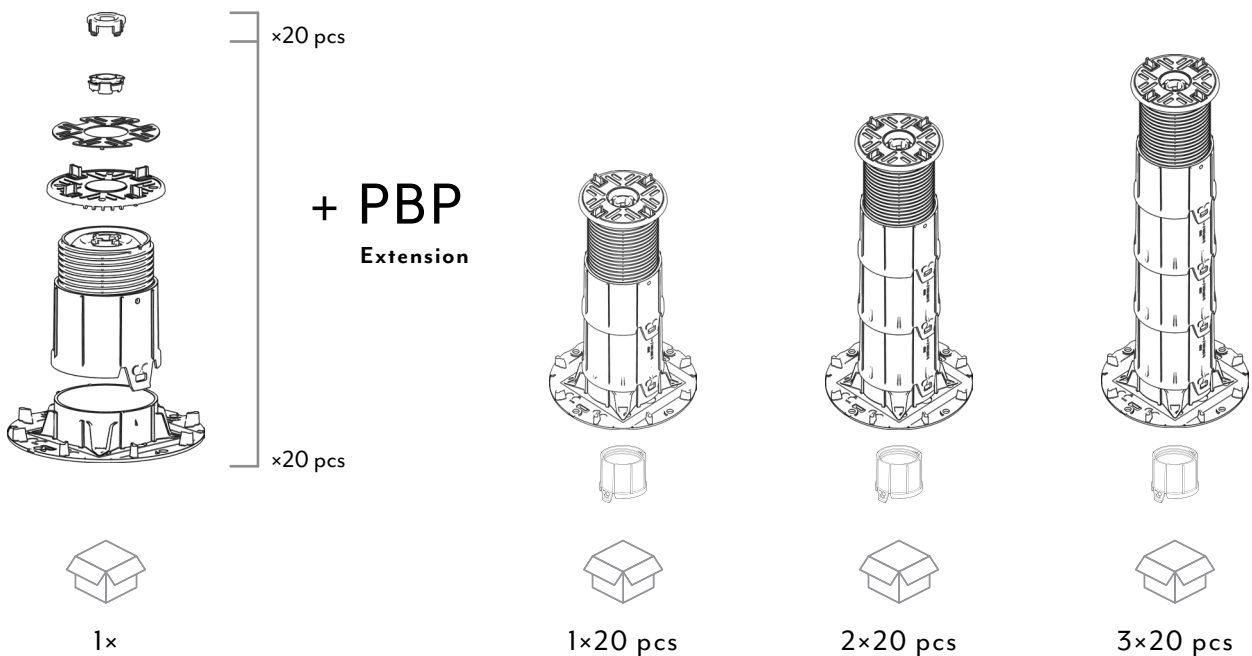


MINI MEGA BALANCE  
25-50

MINI MEGA BALANCE  
+ DOME  
25-75

SP-MEG-BAL-075  
75-125

\*Dome has to be requested  
separately (x40 pcs)



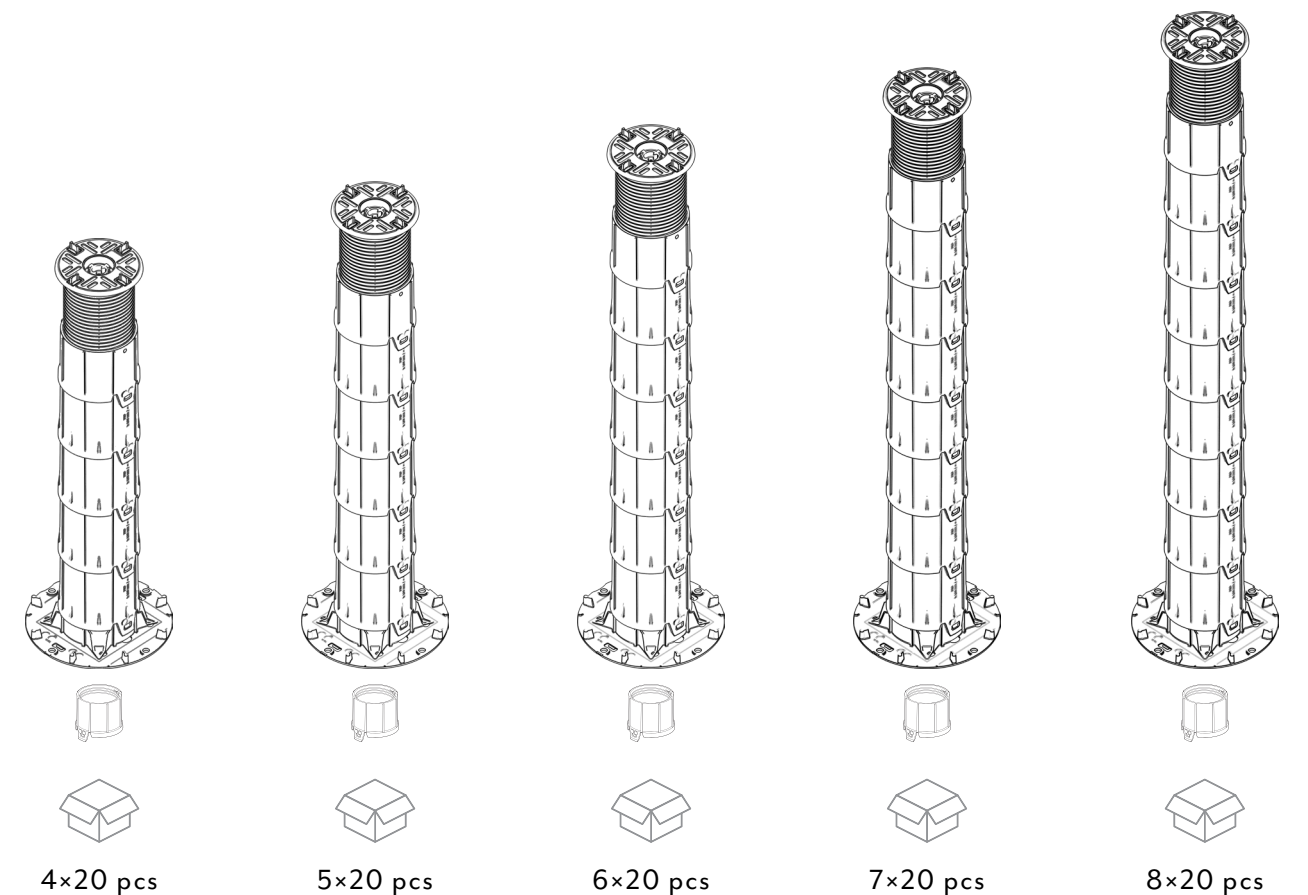
SP-MEG-BAL-125  
125-225

SP-MEG-BAL-225  
225-325

SP-MEG-BAL-325  
325-425

SP-MEG-BAL-425  
425-525

Dome extension of 25 mm compatible with MegaBalance range.  
Position Dome between the screw of the support and the head.  
\*Product sold separately.



SP-MEG-BAL-525  
525-625

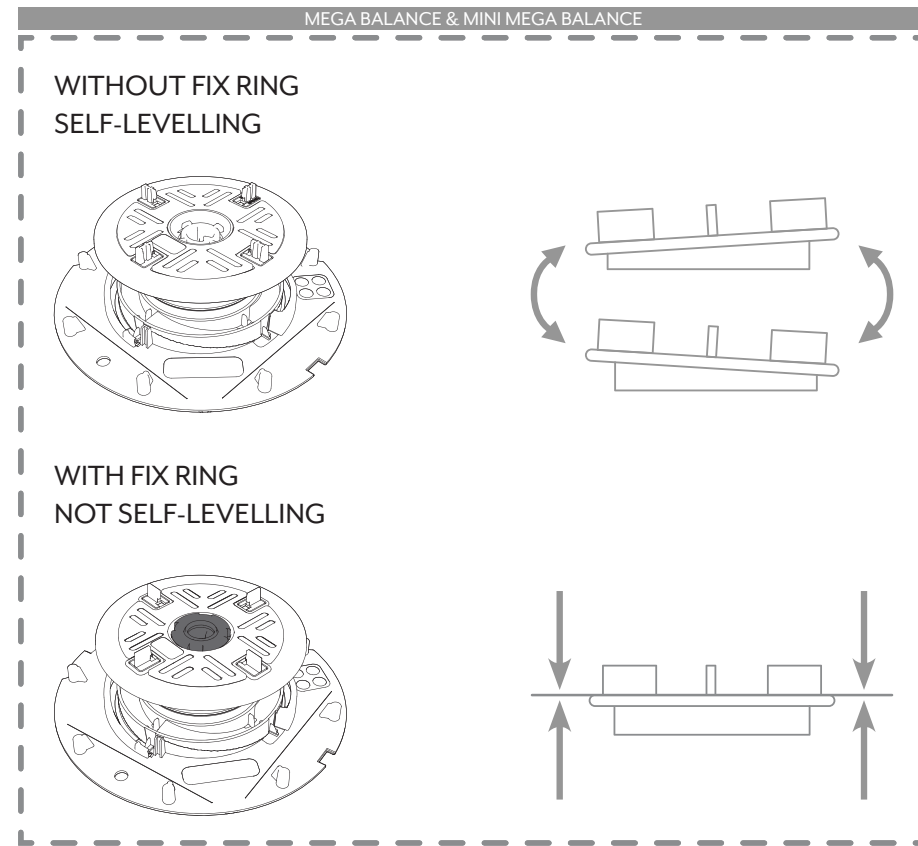
SP-MEG-BAL-625  
625-725

SP-MEG-BAL-725  
725-825

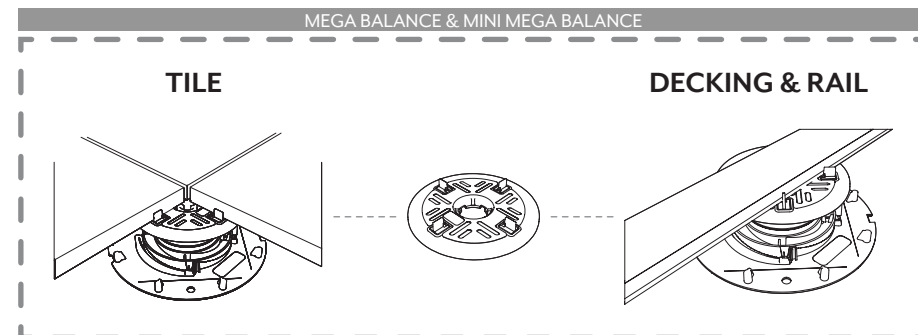
SP-MEG-BAL-825  
825-925

SP-MEG-BAL-925  
925-1025

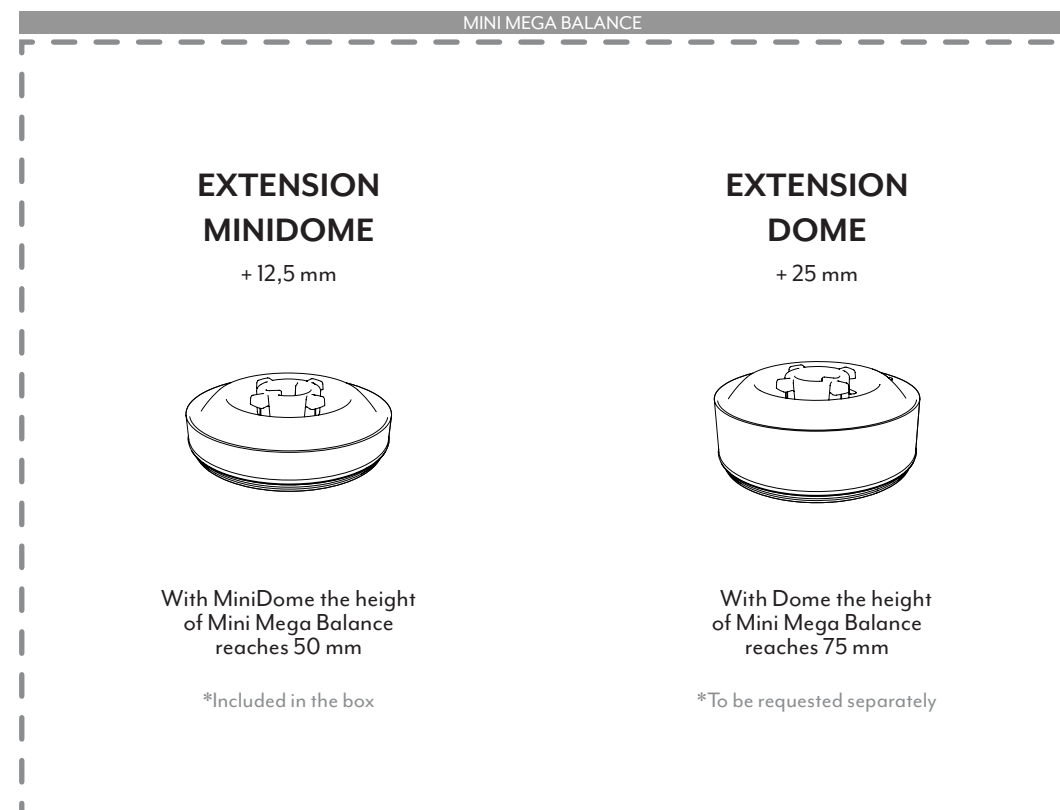
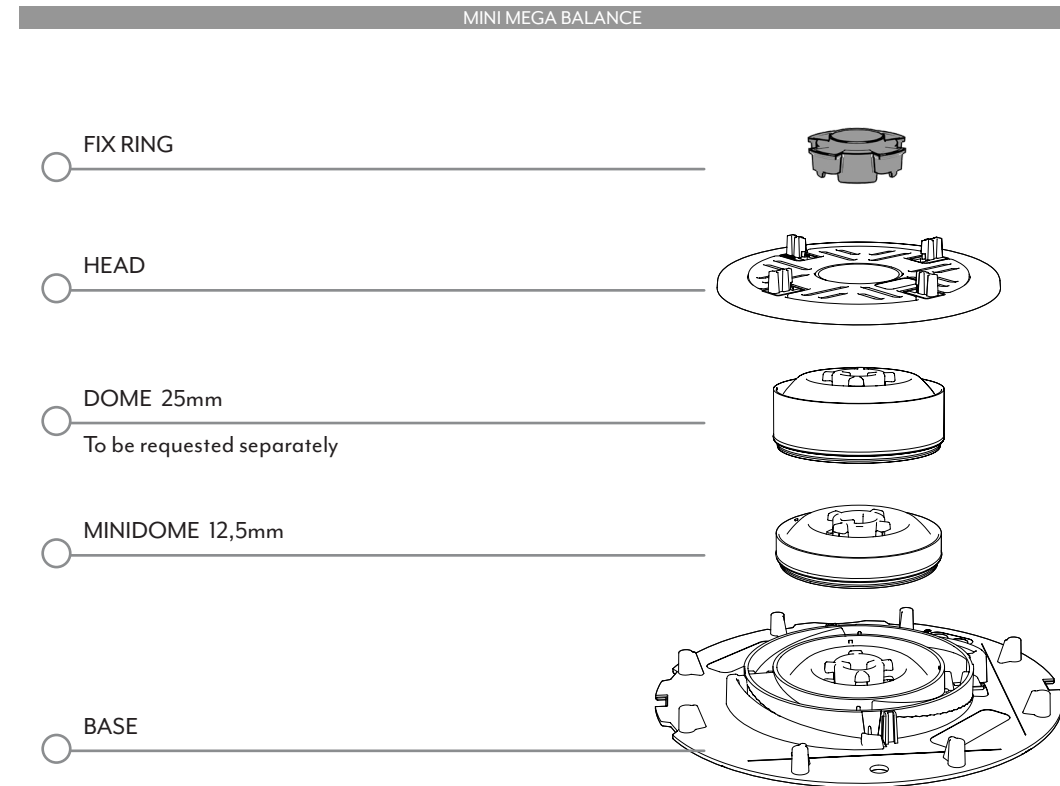
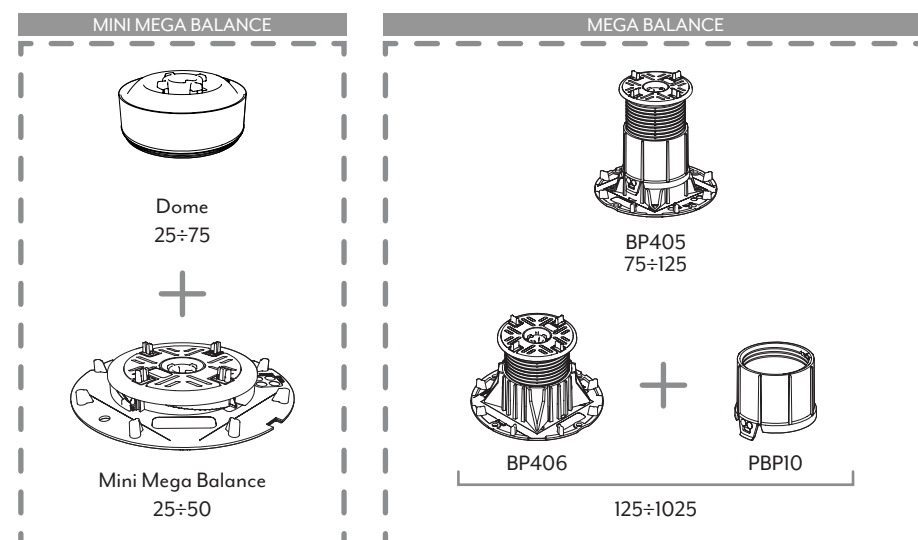
## SELF-LEVELLING SYSTEM



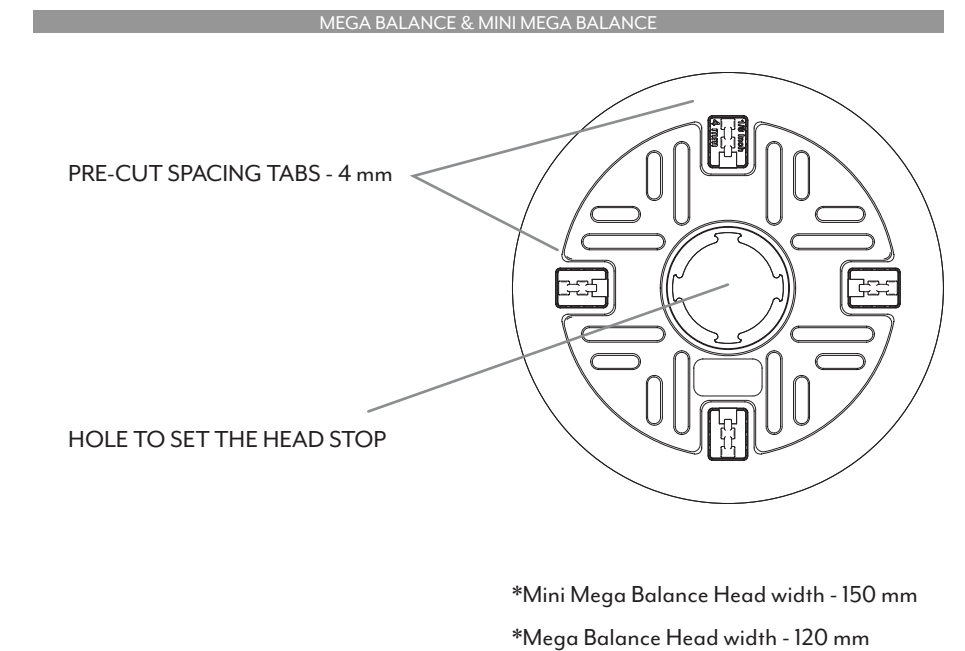
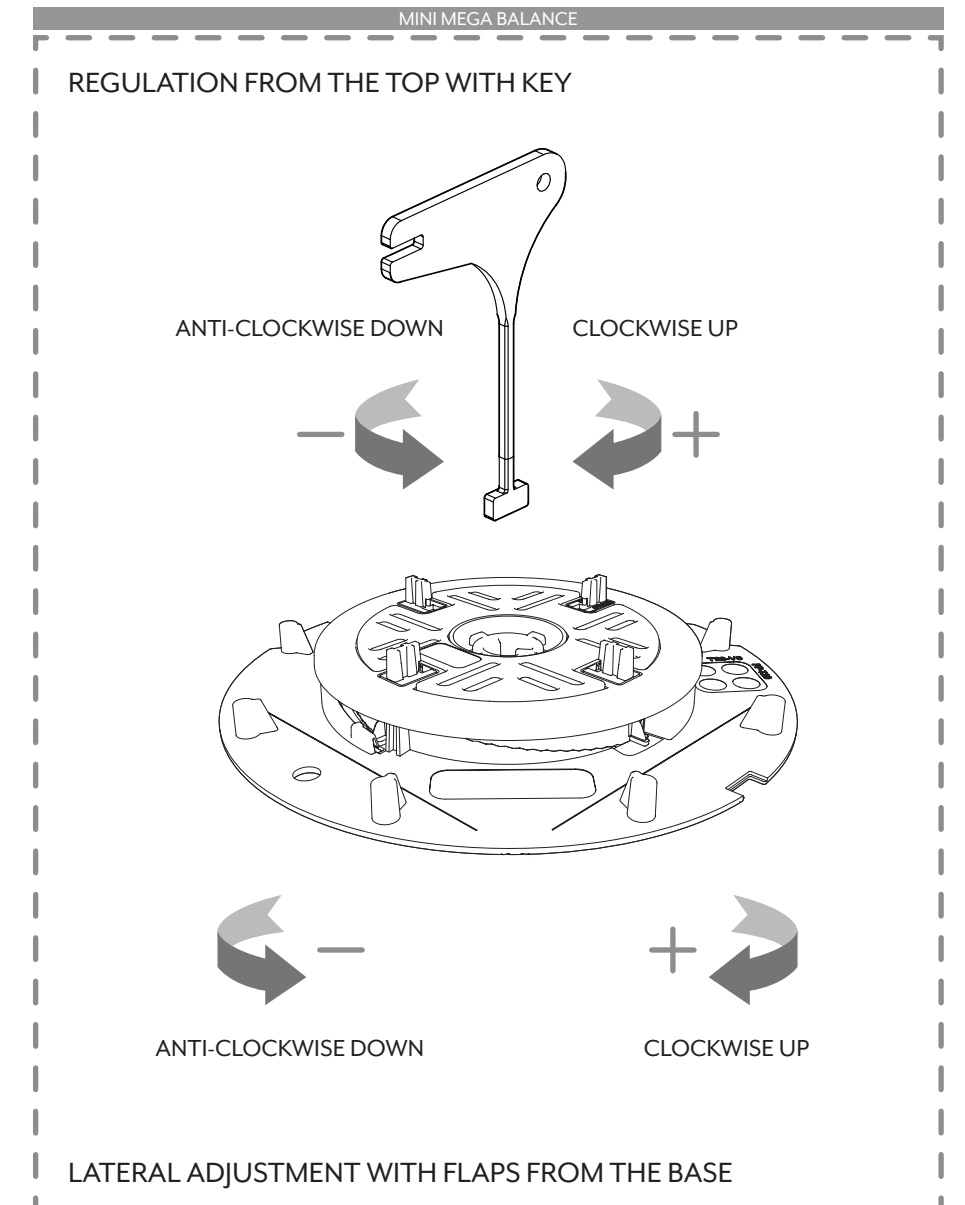
## SINGLE HEAD FOR PAVING, DECKING JOISTS AND RAIL SYSTEM



## From 25 to 1025 mm with 3 PRODUCTS AND 2 EXTENSIONS



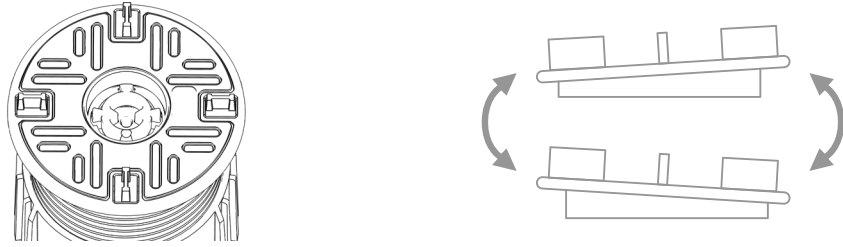
## HEIGHT ADJUSTMENT



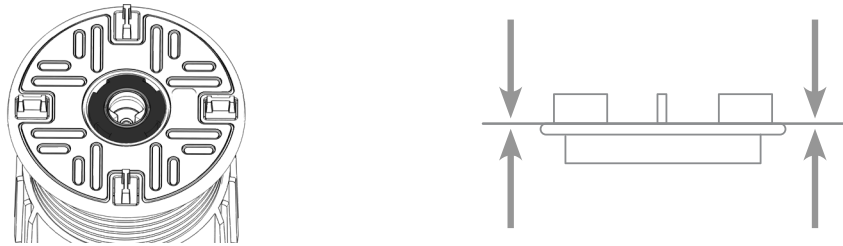
## THE BLACK NUT FOR MEGA BALANCE

MEGA BALANCE

WITHOUT THE GREY NUT INSERTED  
THE HEADPIECE IS SELF LEVELLING



CLICK THE GREY NUT INTO THE CENTRE OF  
THE HEADPIECE TO LOCK THE HEADPIECE



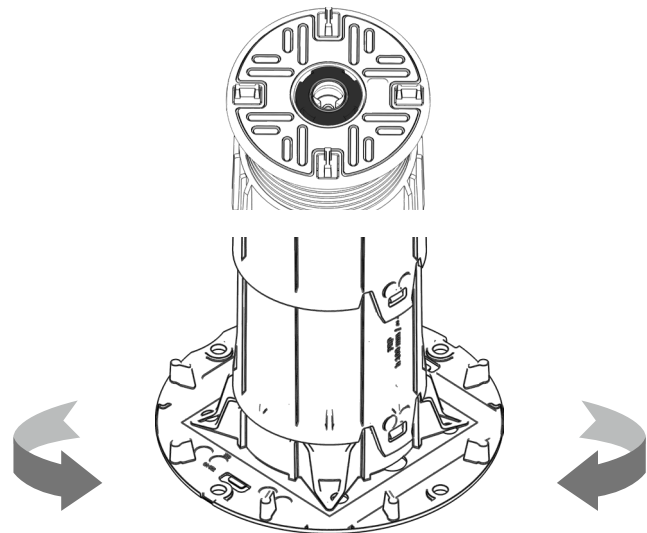
MEGA BALANCE



INSERT THE BLACK NUT INTO THE HEADPIECE

Mega Balance pedestals are placed under the centre of a tile. When users are placing Mega Balance under the centre of the tile and adjusting height, installers cannot get their hands into the tight gap between base and stem at low heights, so the Black Nut needs to be added to lock the pedestal thread and allow height adjustment using the spokes on the baseplate.

You can use your hand to turn the spokes and adjust the height.

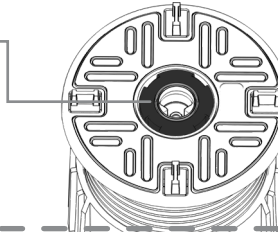


TWIST THE PEDESTAL FROM THE BASE

MEGA BALANCE

THE BLACK NUT

Insert into centre of headpiece. This allows height adjustment of the thread using your hands on stem, where pedestal is under centre of tile, for example. See overleaf for instructions on adjusting low height pedestals.



THE BLACK NUT



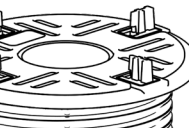
THE GREY NUT



HEADPIECE



HEIGHT ADJUSTMENT WIRE THREAD



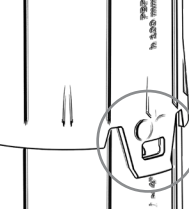
RING NUT, ATTACHED TO THREAD



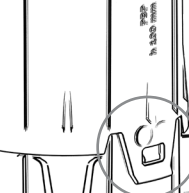
EXTENSION SHANK



EXTENSION SHANK

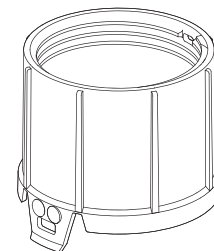


BASE



EXTENSION SHANK

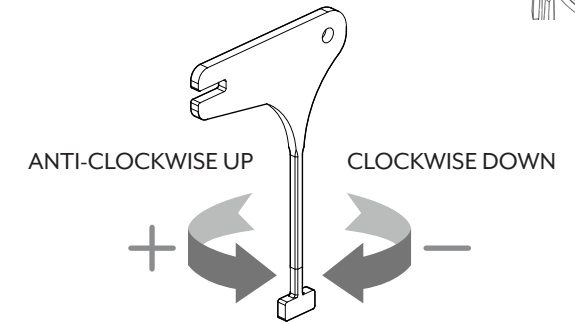
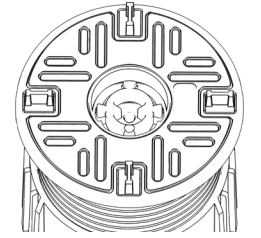
100 mm extension tower



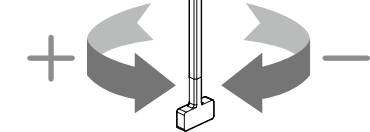
## HEIGHT ADJUSTMENT

MEGA BALANCE

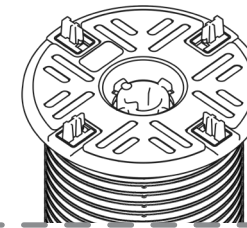
USE THE YELLOW KEY  
OR THE SILVER KEY



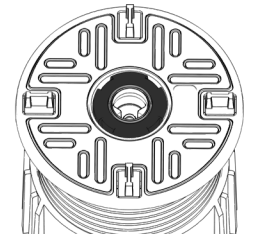
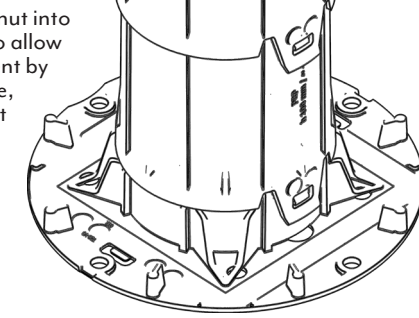
ANTI-CLOCKWISE UP      CLOCKWISE DOWN



AVOID THE NEED TO LIFT  
THE TILE WHEN MAKING  
ADJUSTMENTS



Insert the black nut into  
the headpiece to allow  
height adjustment by  
twisting the base,  
adjust the height  
twisting the  
pedestal from  
the base.



ANTI-CLOCKWISE DOWN

CLOCKWISE UP

MEGA BALANCE

HEAD TYPES AVAILABLE



TBP2



TY2BP



TY4BP

FOR TILES



TH-BP



TJ-BP



TBP2

FOR RAIL SYSTEM



TD-BP



TX-BP

FOR DECKING



SOLUTIONS FOR ROOFTOP LIVING