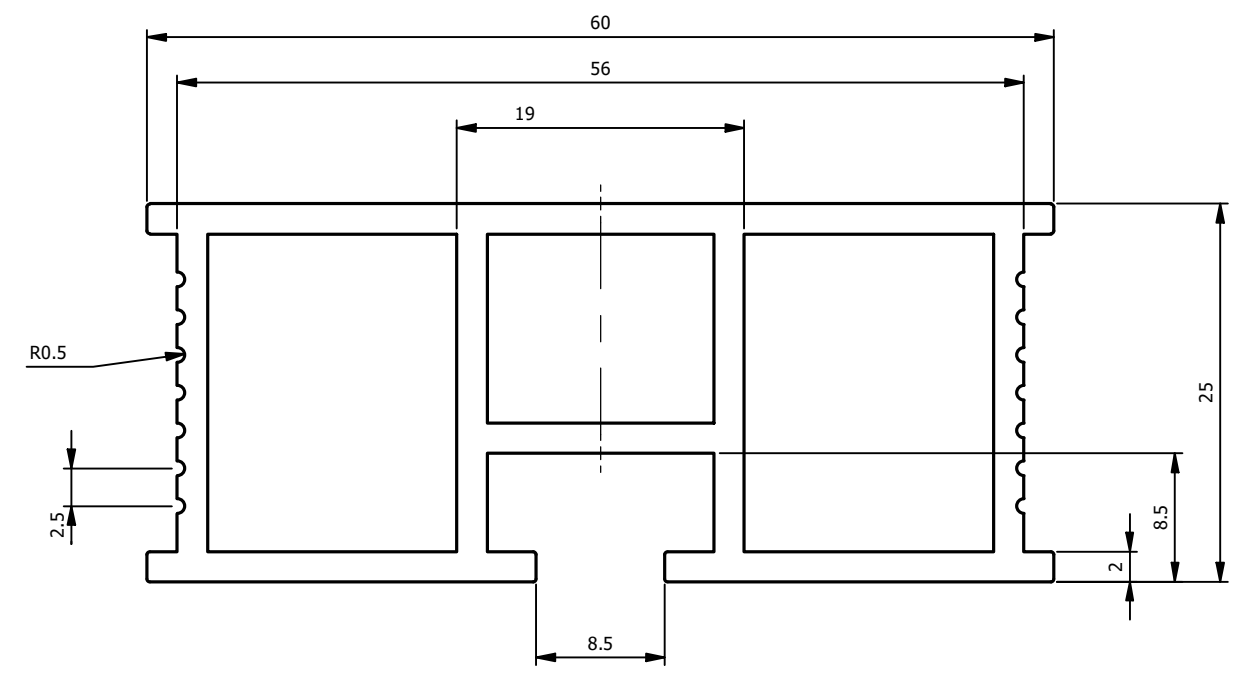
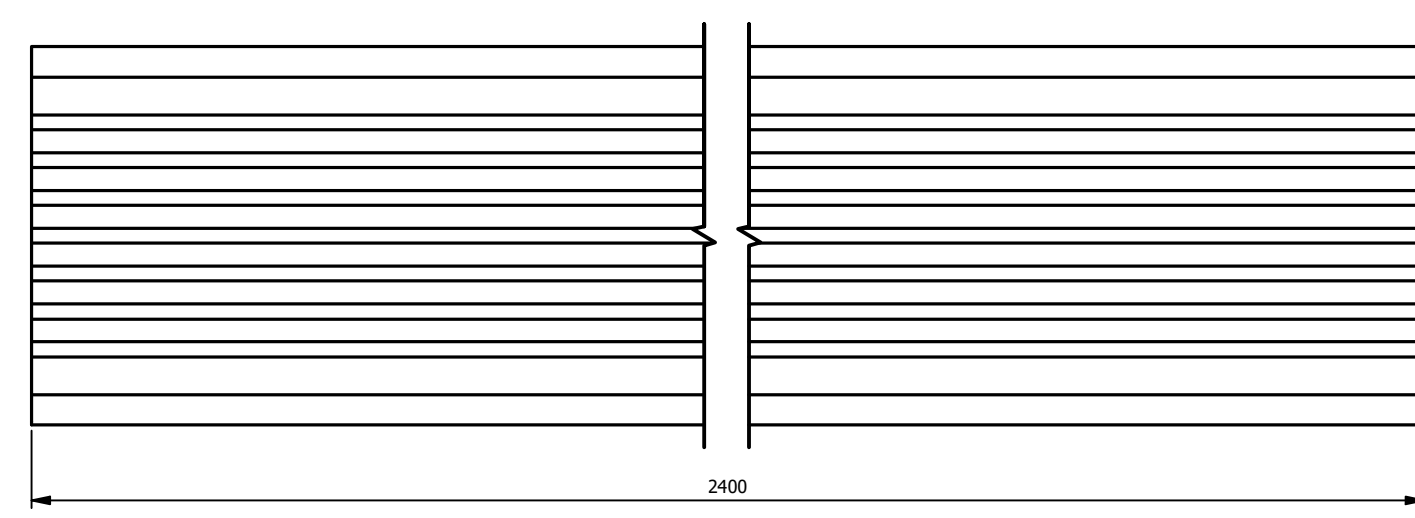


**FRONT VIEW**  
(2 : 1 @ A3)



**SIDE VIEW**  
(2 : 1 @ A3)



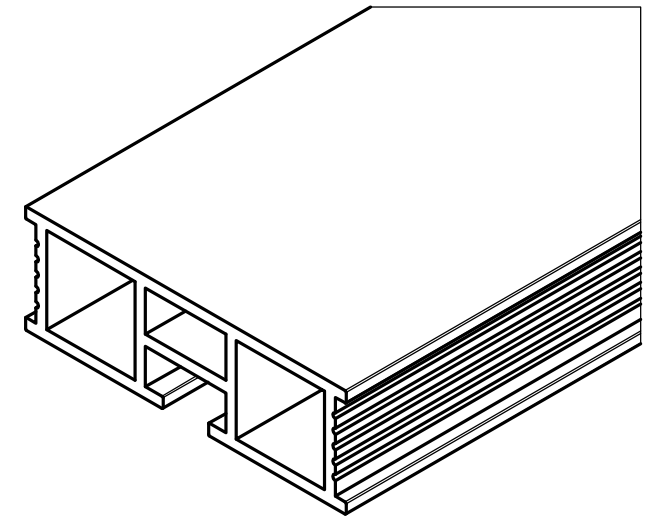
#	Original version	-	DT
REV	DESCRIPTION	DATE	AUTHOR
REVISION HISTORY			

MATERIAL	Aluminum 6063 T6 TO BS EN 755-9
NOTES	THIS DRAWING IS COPYRIGHT AND CANNOT BE REPRODUCED WITHOUT PRIOR CONSENT

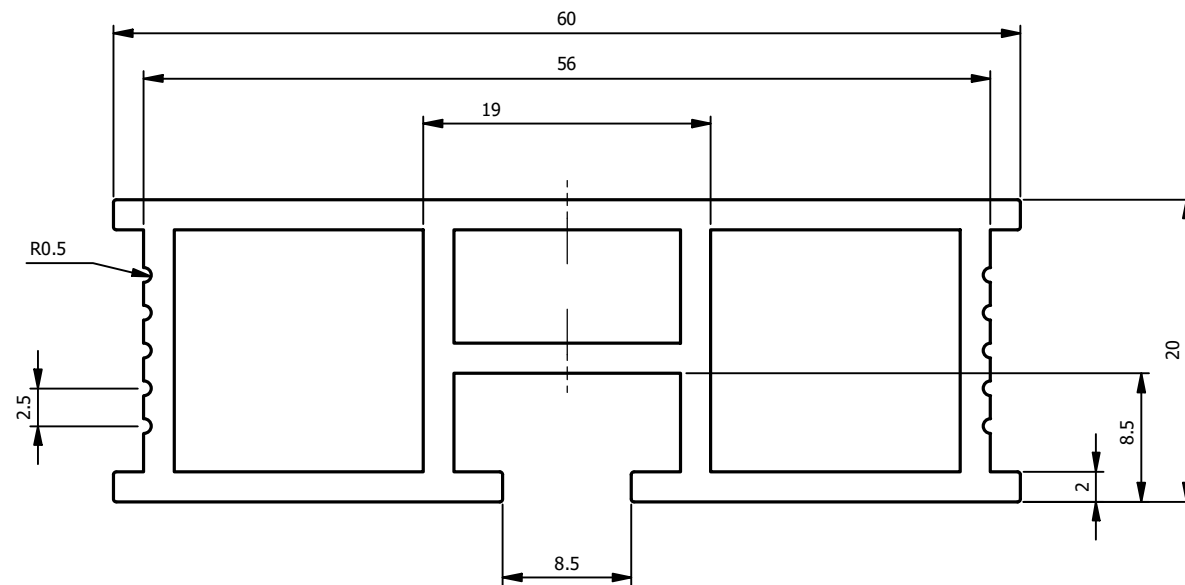
TOLERANCE UNLESS OTHERWISE STATED.	0.5 to 3mm — ±0.1mm
	over 3 up to 6 — ±0.1mm
	over 6 up to 30 — ±0.2mm
	over 30 up to 120 — ±0.3mm
	over 120 up to 400 — ±0.5mm
	over 400 up to 1000 — ±0.8mm
	over 1000 up to 2000 — ±1.2mm
	over 2000 up to 4000 — ±2.0mm
ALL DIMENSIONS IN MILLIMETERS	
THIS DRAWING CONFORMS TO ASME Y14.5-2018	

DRAWN BY	DT	PART NO.	
CHECKED BY		DESCRIPTION	2.4m x 25mm x 60mm Aluminium Ledged Profile Rail
SHEET SIZE	A3	PROJECT	
PROJECTION		CREATION DATE	20/05/2026
		SHEET NO.	1 / 3

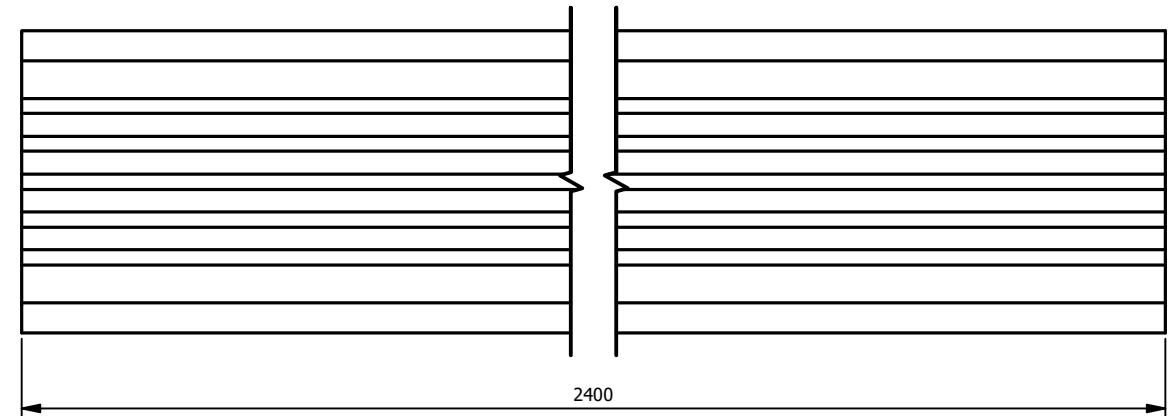
CLIENT	Wallbarn


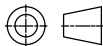


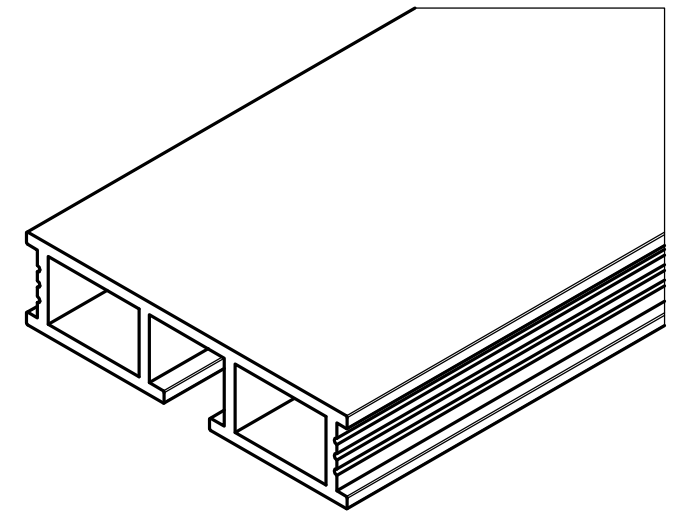
**FRONT VIEW**  
(2 : 1 @ A3)



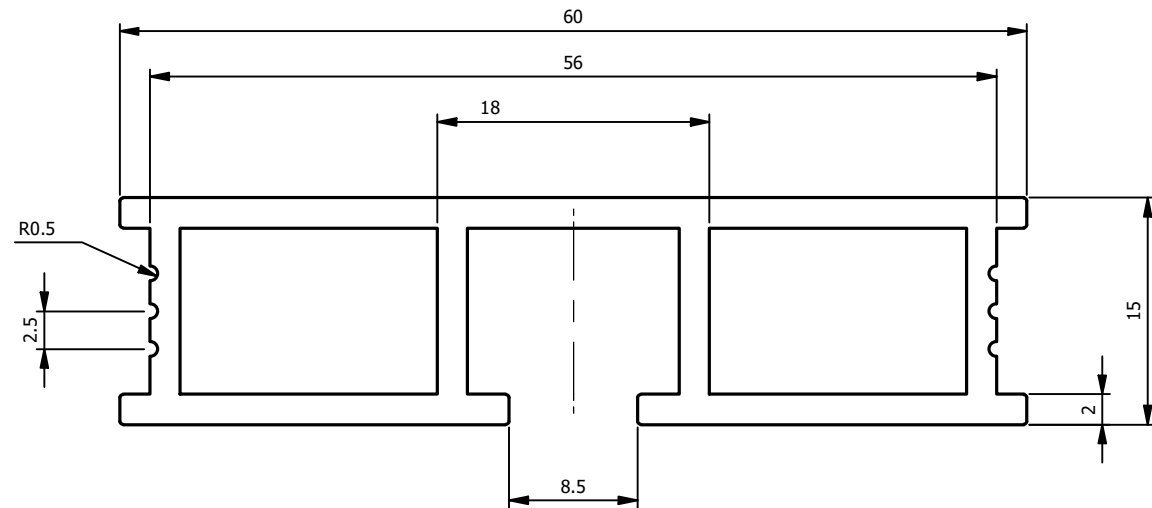
**SIDE VIEW**  
(2 : 1 @ A3)



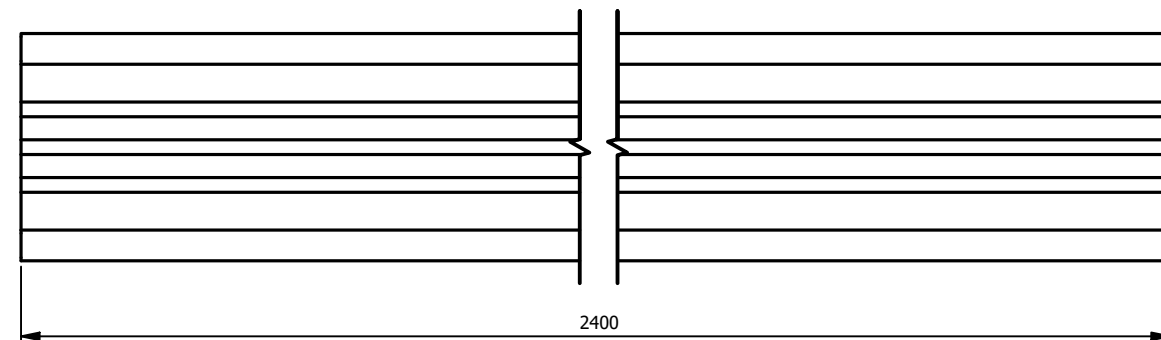
MATERIAL	Aluminum 6063 T6 TO BS EN 755-9	TOLERANCE UNLESS OTHERWISE STATED.	0.5 to 3mm — ±0.1mm over 3 up to 6 — ±0.1mm over 6 up to 30 — ±0.2mm over 30 up to 120 — ±0.3mm over 120 up to 400 — ±0.5mm over 400 up to 1000 — ±0.8mm over 1000 up to 2000 — ±1.2mm over 2000 up to 4000 — ±2.0mm	DRAWN BY	DT	PART NO.			
NOTES		ALL DIMENSIONS IN MILLIMETERS		CHECKED BY		DESCRIPTION	2.4m x 20mm x 60mm Aluminium Ledged Profile Rail		
		THIS DRAWING CONFORMS TO ASME Y14.5-2018		SHEET SIZE	A3	PROJECT			
	THIS DRAWING IS COPYRIGHT AND CANNOT BE REPRODUCED WITHOUT PRIOR CONSENT			PROJECTION		CREATION DATE	20/05/2026	SHEET NO.	2 / 3
						CLIENT	Wallbarn		



**FRONT VIEW**  
(2 : 1 @ A3)



**SIDE VIEW**  
(2 : 1 @ A3)



MATERIAL	Aluminum 6063 T6 TO BS EN 755-9	TOLERANCE UNLESS OTHERWISE STATED.	0.5 to 3mm — ±0.1mm over 3 up to 6 — ±0.1mm over 6 up to 30 — ±0.2mm over 30 up to 120 — ±0.3mm over 120 up to 400 — ±0.5mm over 400 up to 1000 — ±0.8mm over 1000 up to 2000 — ±1.2mm over 2000 up to 4000 — ±2.0mm	DRAWN BY	DT	PART NO.	
NOTES		ALL DIMENSIONS IN MILLIMETERS		CHECKED BY		DESCRIPTION	2.4m x 15mm x 60mm Aluminium Ledged Profile Rail
		THIS DRAWING CONFORMS TO ASME Y14.5-2018		SHEET SIZE	A3	PROJECT	
	THIS DRAWING IS COPYRIGHT AND CANNOT BE REPRODUCED WITHOUT PRIOR CONSENT			PROJECTION		CREATION DATE	20/05/2026
						SHEET NO.	3 / 3
						CLIENT	Wallbarn

